



I3C RECIRC IMPACT CRUSHER

The I3C recirculating compact impact crusher is the perfect solution for projects with small footprints but big requirements. Formerly named the I34, these compact, mobile crushers are suited particularly to construction and demolition recycling, asphalt recycling, and aggregates.

FEATURES

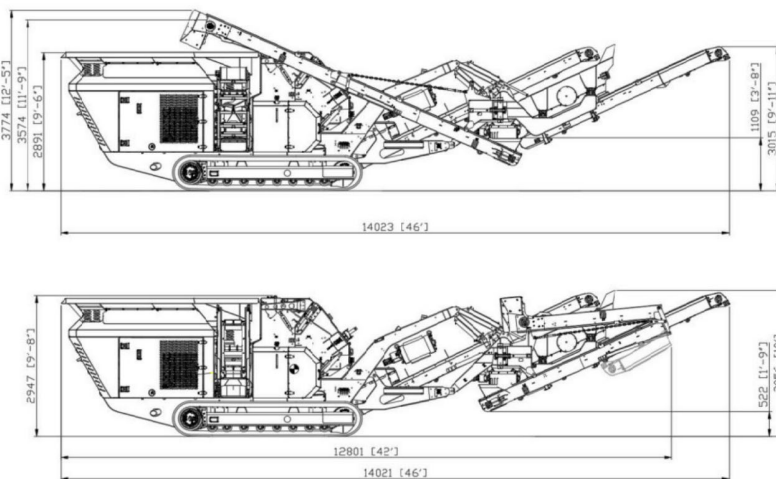
- ✓ Powerful 900mm (35.4") diameter x 820mm (32.3") wide Impactor
- ✓ One piece vibrating grizzly feeder with 3.6 yd³ (2.75m³) volume capacity
- ✓ Aggressive Blow Bar design with large contact area for high capacity crushing
- ✓ Apron adjustment to suit either secondary or primary crushing
- ✓ Integrated hydraulic folding conveyors
- ✓ Direct drive crusher rotor via clutch which boasts maximum power transmission with a low fuel cost

I3C RECIRC TECH SPECS



This versatile, mobile crusher is able to nimbly move around in small spaces, and continue moving while crushing. The I3C's small footprint is uniquely suited to the demolition and asphalt recycling, aggregates and smaller scale construction projects. Less than 2.5m wide, the crushers can be transported easily from site to site.

The I3C boasts flexibility as well, as it can continue crushing while moving.



Engine 188kW (252 Hp)

Rotor Diameter 900mm (35.4")
Rotor Width 820mm (32.3")

Stockpile Heights
Main Conveyor 3006mm (9' - 10")
Side Conveyor 2583mm (8' - 6")
Fines Conveyor 3015mm (9' - 11")

Grizzly Feeder Width 800mm (31.5")
Grizzly Feeder Length 3750mm (147.6")

Hopper Width 2000mm (78.7")
Hopper Length 4215mm (166")

Screenbox - Top Deck 2000mm x 1100mm (6'-7" x 3'-7")

TRANSPORT

Transport Height 3.056m (10')
Transport Length 14.021m (46')
Transport Width 2.55m (8' 4")
Weight 27,500 kg (60,627 lbs)

OPTIONS

4 Full Height Blow Bars | Grizzly Blanking Plate | Feeder Punch Plate | Hoist | Various Blow Bar Material Options | Overband Magnet | Main Conveyor Variable Speed | Work lights | Refueling Pump | Water Pump and Dust Suppression | Hoist